

# North Eastern Door Frames : New Gen Frame Order Form

TITLE

PROJECT: ..... PAGE .....OF .....  
 AUTHOR: ..... DATE: .....  
 INFO SOURCE: ..... DATE RQD: .....

DOOR

DOOR NUMBER OR TYPE: ..... TOTAL QUANTITY: .....  
 HANDING:  LEFT QTY: .....  RIGHT QTY: .....  DOUBLE - LHA QTY: .....  DOUBLE - RHA QTY: .....

DIMENSIONS (Provide one):

Frame Overall Size: Height: ..... Width: ..... Reveal Size: Height: ..... Width: .....  
 Door Size: Height: ..... Width: ..... Clear Opening Size: Height: ..... Width: .....

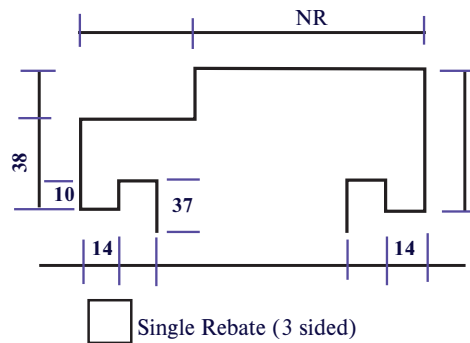
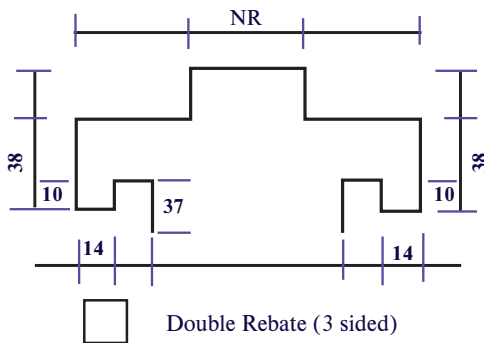
DOOR TYPE:  Standard  Fire  Acoustic  Radiation

Door Thickness:.....

WALL

WALL NUMBER OR TYPE: .....

PROFILE TYPE:



OPTIONS

MATERIAL THICKNESS:  1.1mm  1.5mm  Other ..... MATERIAL TYPE: (Zincanneal and Galvabond frames are all supplied spot primed)  
 Zincanneal  Galvabond  Other .....

HINGE PREP: .....  100x75  100x100

LOCK TYPE:  Universal  ES2000 or equivalent  Other .....

LOCKHEIGHT:  Standard (1025mm)  Other .....

DEADLOCK TYPE AND HEIGHT (Leave blank if none): .....

NOTES:

.....  
 .....

QA

CUSTOMER APPROVAL TO COMMENCE WORK

Name:..... Sign: ..... Date: ..... (mm / dd / yyyy)



5/14 Geebung Drive, Port Macquarie NSW 2444 |  
 36 Enterprise Drive, Beresfield NSW 2322 | 10 Production Drive Wauchope NSW 2446

PHONE: 1300 784 852 | FAX: 1300 784 952 | EMAIL: doors@nedf.com.au WEB: www.nedf.com.au



© NEDF\_v2.0\_25/26

All statements, technical information, and recommendations related to NEDF's products are based on information believed to be reliable, but the accuracy or completeness is not guaranteed. Before using this product, you must evaluate it and determine if it is suitable for your intended application.

Custom New Generation Single and Double Rebate Profile