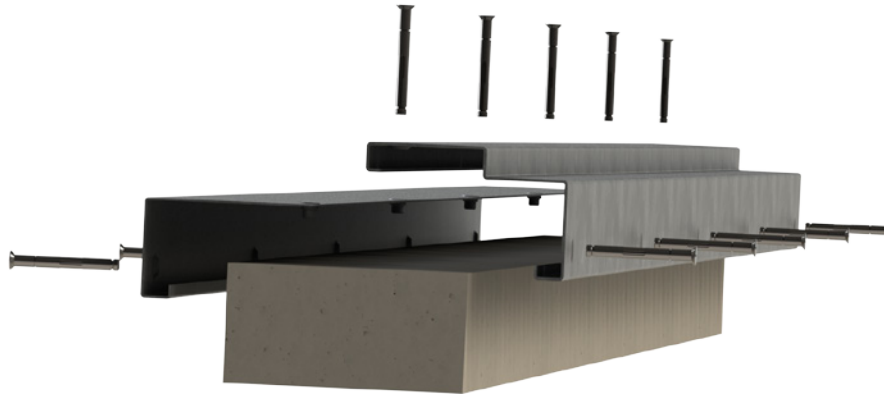
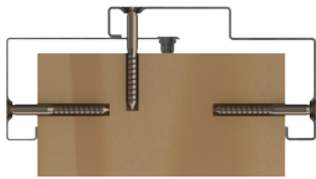
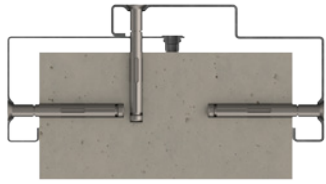


Spartan Doors - Split Frame



Spartan Doors manufactures specialised doors and frames for commercial and industrial applications.



All statements, technical information, and recommendations related to Spartan's products are based on information believed to be reliable, but the accuracy or completeness is not guaranteed. Before using this product, you must evaluate it and determine if it is suitable for your intended application.

Split Frame

Double rebate split door frame constructed from steel.

Description

The Split Frame is multi-purpose double rebate door frame. It has the same advantages of a standard frame, but allows for a larger door when installed into an existing wall opening.

It is constructed from folded 1.1mm Zincaneal (as standard) and comes fitted with hinge backing plates and lock strike plate. The Split Frame comes in two separate folded sections. On installation the two sections slide in from either side of the opening and fix in place through the pre-drilled and countersunk fixing holes.

The Spartan Doors Split Frame is fully compatible with the Spartan Homestead, Industrial and Solid Core doors ranges.

Application

Existing and new studwork (metal and timber), existing and new blockwork. Standard models are suitable for wall thicknesses from 85mm - 245mm. Custom sizes are also available.

Finishes

Manufactured from 1.1mm Zincaneal with spot primed finish as standard. Galvabond, stainless steel, aluminium and 1.5mm options are also available. Frame can be powder coated.

Product Data Sheet



110 Mitchell Ave, Kurri Kurri, NSW, 2327, AUSTRALIA
PHONE: 1300 784 852 | FAX: 1300 784 952
EMAIL: info@spartandoors.com.au
WEB: www.spartandoors.com.au.com.au

© 2018

Spartan Doors - Split Frame

Nutsert Feature

The unique design of the frame backing allows screws to be threaded through pre installed nutserts. This means that the frame can be corrected if the wall is out of square or uneven. The space between the frame and the wall also allows for rebated hinges to be installed. This gives the door hinges a flush finish to the frame.

Standard Models

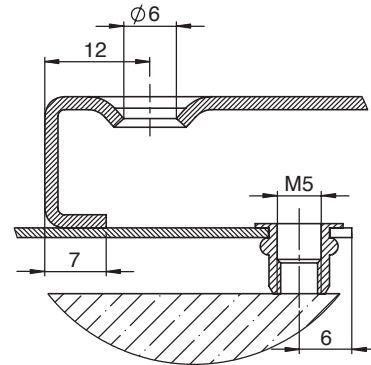
The Spartan Split Frame has eight standard models.

Part #	Throat (T)	Rebate (R)
FRM-SP-A1	85-125mm	41mm
FRM-SP-B1	125-165mm	41mm
FRM-SP-C1	165-205mm	41mm
FRM-SP-D1	205-245mm	41mm
FRM-SP-A2	85-125mm	46mm
FRM-SP-B2	125-165mm	46mm
FRM-SP-C2	165-205mm	46mm
FRM-SP-D2	205-245mm	46mm

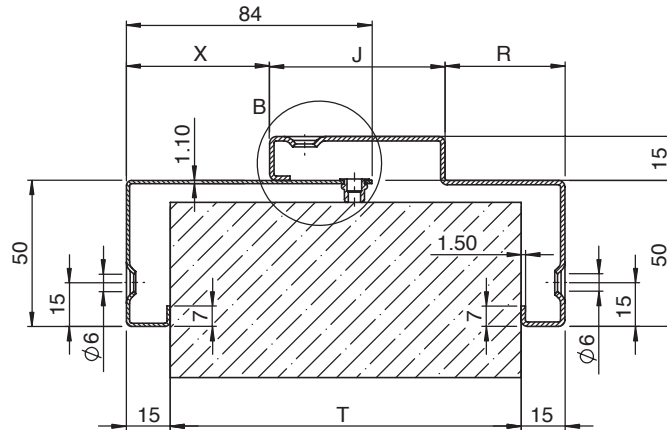
Other sizes can be manufactured on request.



Drawing



DETAIL B
SCALE 2 : 1



To Specify

Frame shall be a Spartan Split Frame constructed from 1.1mm Zincanneal, complete with hinge backing plates and lock strike plate. Spot primed finish.

To Order

Refer to the Split Frame order sheet for a full list of options and ordering information.

For further information please contact Spartan Doors or your nearest Spartan Doors dealer.