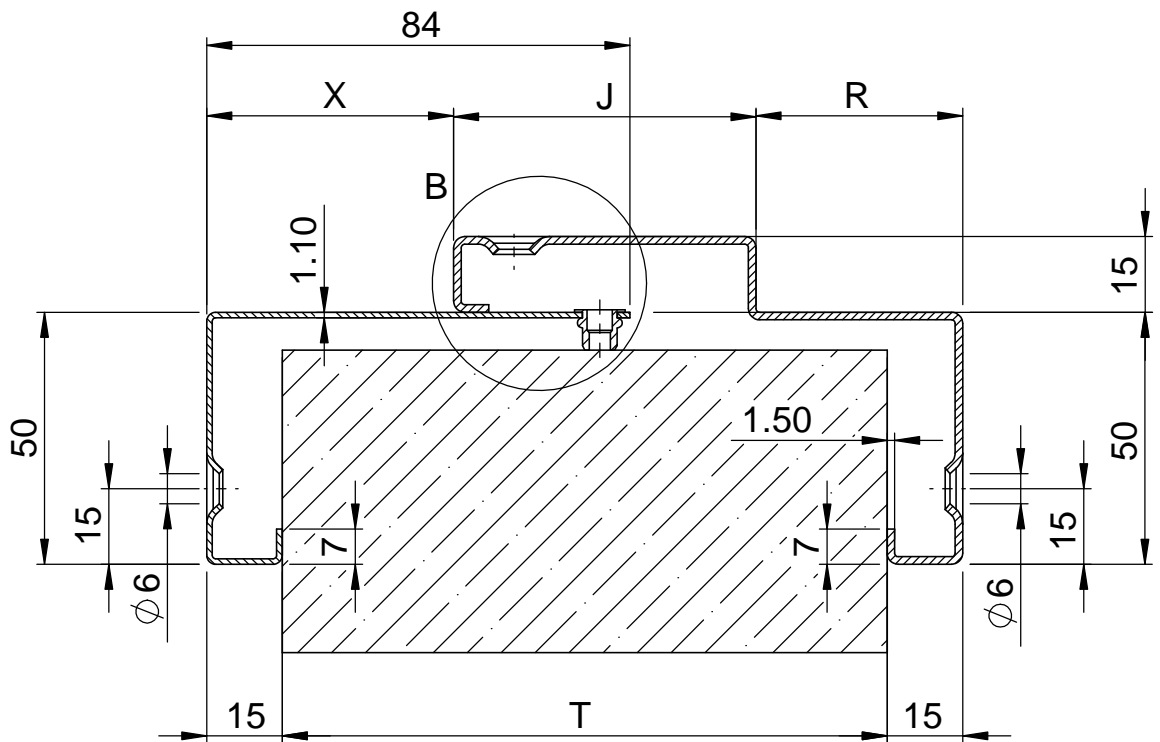
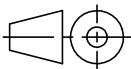


DETAIL B  
SCALE 2 : 1



DO NOT SCALE DRAWING.  
DIMENSIONS IN MILLIMETERS.



Material:



**GENERAL TOLERANCES**

Unless Otherwise stated:  
0 Dec. place  $\pm 0.5\text{mm}$   
1 Dec. place  $\pm 0.25\text{mm}$   
2 Dec. place  $\pm 0.10\text{mm}$   
Holes:  $+0.25\text{mm} -0\text{mm}$   
Angles:  $\pm 0.25^\circ$

Spartan Doors Pty Ltd  
30 Aruma Place, Cardiff, NSW, 2285  
Phone: 1300784852  
Fax: 1300784952  
E-Mail: info@spartandoors.com.au

TITLE:

**Spartan Split Frame**

Drawn:  
Aleksandar Gochevski

Date:  
25.06.2015

DWG NO.

A4

Checked:

Date:

WEIGHT: